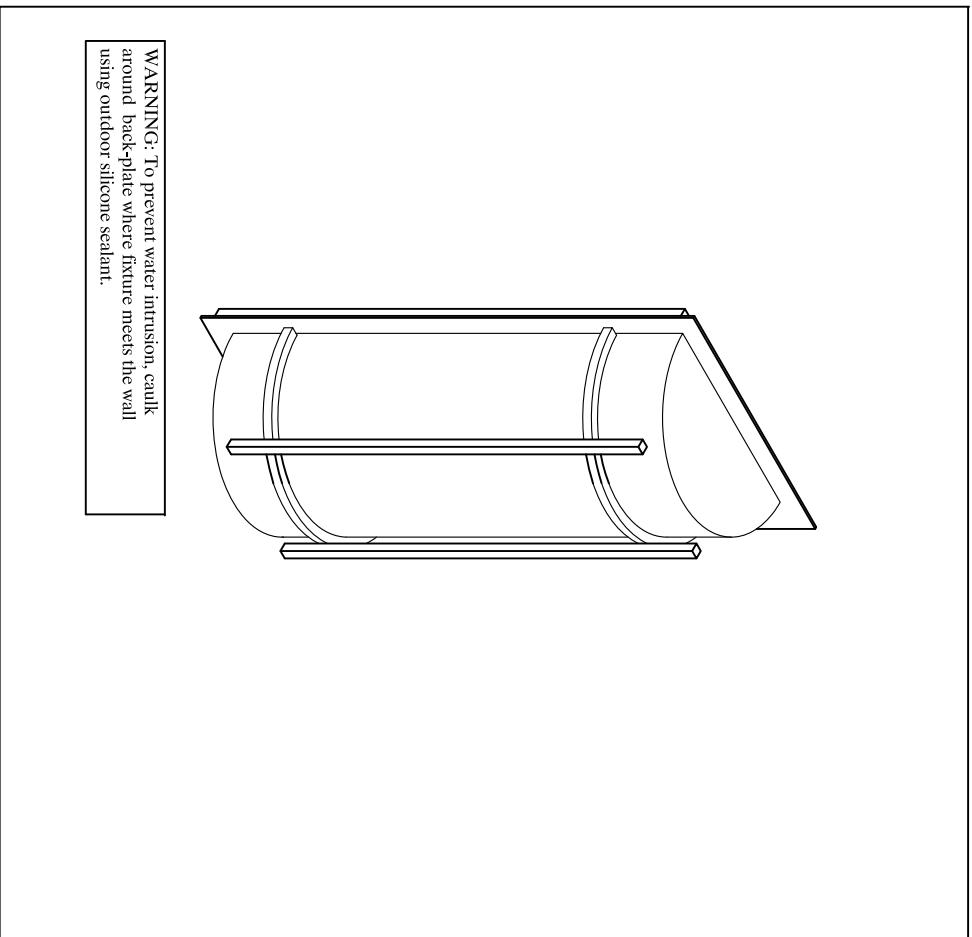




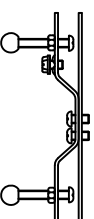
PRODUCT NAME: Luna  
ITEM NUMBER: 85216WTBM

Please consult your electrician for hanging fixture and wiring.



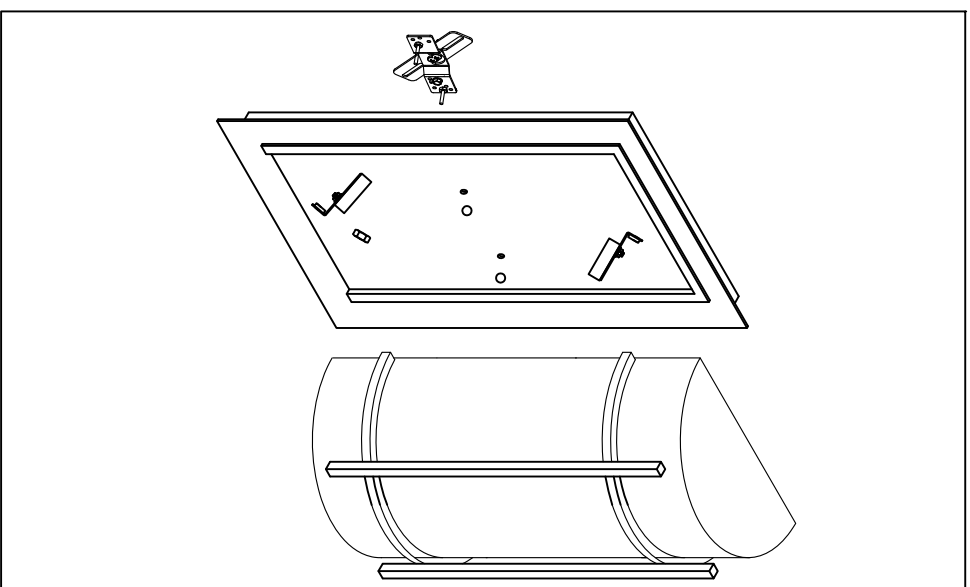
Bulbs :2\*GU24\*13W (INCLUDING- BULB)

IMPORTANT: Turn off the power at the main fuse or circuit breaker box before starting installation

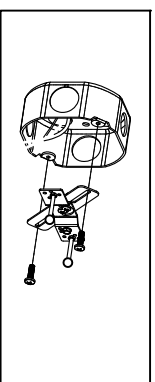


Bracket

Locate all hardware & components before discarding packaging

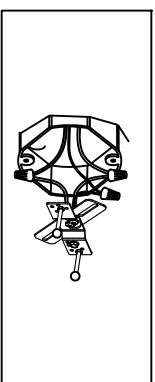


1.)



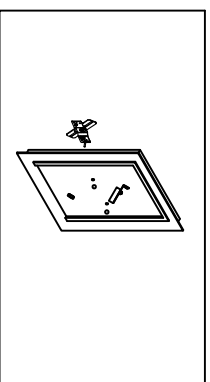
Step 1: Remove mounting bracket from fixture and install it to electrical box.

2.)



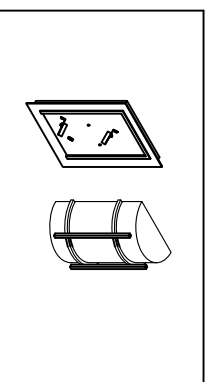
Step 2: Wire fixture to wires in outlet box. Green wire is for ground.

3.)



Step 3: Install fixture to back-plate and tighten worm screws so that fixture meets the wall.

4.)



Cleaning & Care:

Clean with soft cloth and a mild detergent.  
Do not use abrasive cleaner.

Step 4: Slide lens over the back-plate  
Install GU24 CFL bulb.